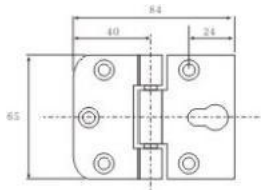


QINGDAO KEVINA INDUSTRY CO., LTD

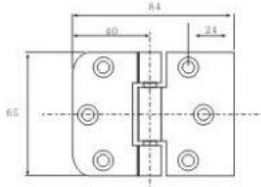
CREAT THE BEST VALUE FOR YOU

Symmetrical hinges

KV-601B KV 601C

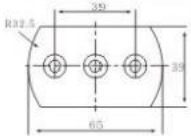


Material:
Steel
Finish:
Powder Coated
Packing:
200pcs/ctr



KV-601A

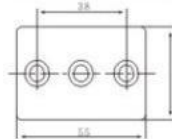
Material:
Zine Alloy
Finish:
Powder Coated
Packing:
100pes/ctr



E

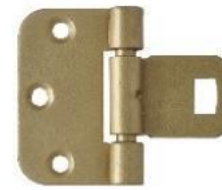
KV-601Z

Material:
Zine Alloy
Finish:
Powder Coated
Packing:
100pes/ctr

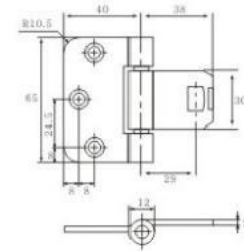


F

KV-601



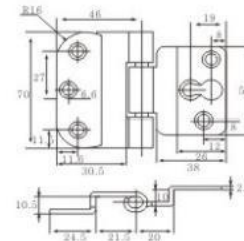
Material:
Steel
Finish:
Powder Coated
Packing:
200pes/ctr



KV-602



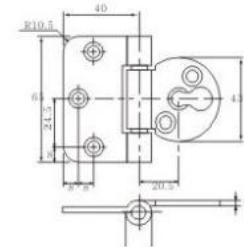
Material:
Steel
Finish:
Powder Coated
Packing:
180pes/ctr



KV-600

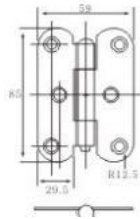


Material:
Steel
Finish:
Powder Coated
Packing:
160pes/ctr



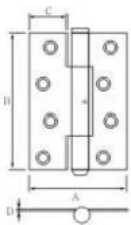
Symmetrical hinges

KVSR-85x25



Material:
Steel
Finish:
Zinc Plated

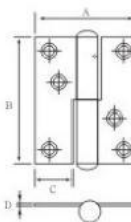
KV S-70x23100x28



Material:
Steel
Finish:
Zinc Plated

Dimension:	A-mm	B-mm	C-mm	D-mm
FFS70x23	54mm	70mm	27mm	1.6mm
FFS100x2868mm	100mm	34mm	2.5mm	

KVNS-70x23100x28



Material:
Steel
Finish:
Zinc Plated

Dimension:	A-mm	B-mm	C-mm	D-mm
FFNS70x23	54.4mm	70mm	21mm	2.0mm
FFNS100x2868.8mm	100mm	26mm	2.5mm	



Material:
Steel
Finish:
Zinc Plated

NIV 75x25

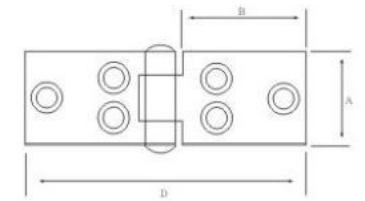
NIV 100x32

NIV 100x38

N/V 100x50

NIV 150x38

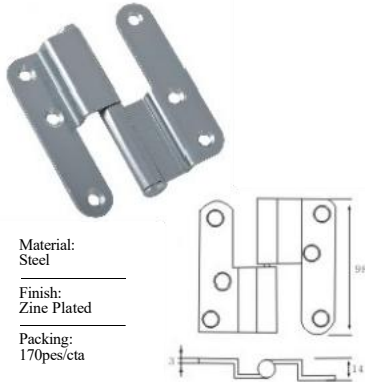
NIV 200x50



Dimension:	A-mm	B-mm	C-mm	D-mm
NIV 70x19	19mm	30mm	1.5mm	70mm
NIV75x25	25mm	32.5mm	1.5mm	75mm
NIV100x32	32mm	44.5mm	2.0mm	100mm
NIV100x38	38mm	44.5mm	2.0mm	100mm
NIV100x5050mm	43.5mm	2.5mm	100mm	
NIV150x38	38mm	68.5mm	2.5mm	150mm
NIV200x50	50mm	93.5mm	2.5mm	200mm

Lift-off hinges with load-bearing pin for non-rebated doors

KV-3231

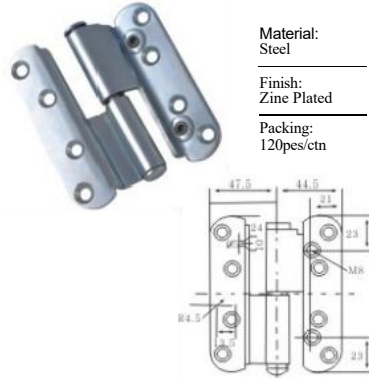


Material:
Steel

Finish:
Zinc Plated

Packing:
170pes/cta

KV-110



Material:
Steel

Finish:
Zinc Plated

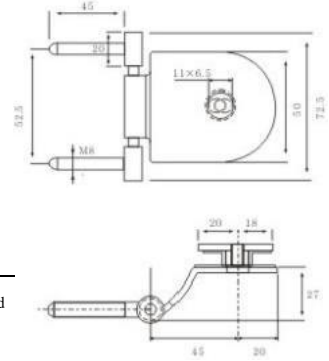
Packing:
120pes/ctn

KV-715

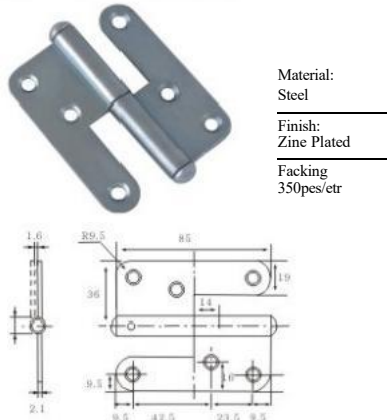


Material:
Steel

Finish:
Powder Coated



KV-1222/1228

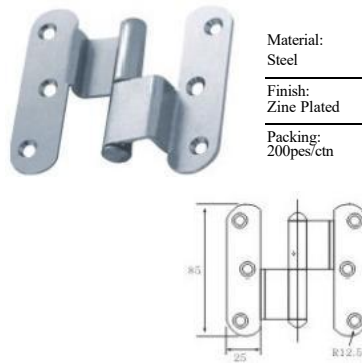


Material:
Steel

Finish:
Zinc Plated

Packing:
350pes/ctr

KV-85X25



Material:
Steel

Finish:
Zinc Plated

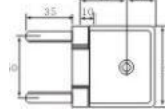
Packing:
200pes/ctn

KV-700



Material:
Aluminium

Finish:
Powder Coated

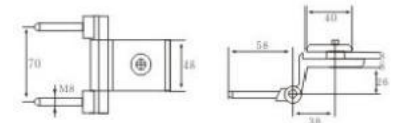


KV-5700



Material:
Aluminium

Finish:
Powder Coated



Drill-in hinges

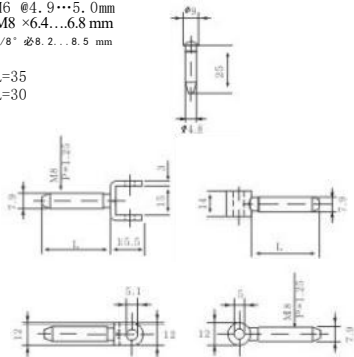


Material:
Steel
Finish:
Zinc Plated

M8/12x35, M8/12x30

Predrilled hole
M6 @4.9...5.0mm
M8 x6.4...6.8mm
3/8" ø8.2...8.5mm

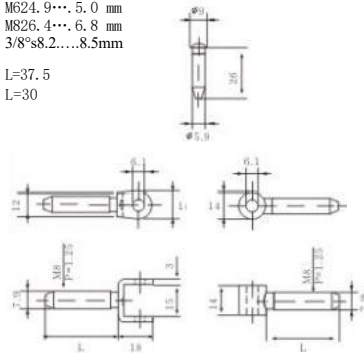
L=35
L=30



M8/ø14

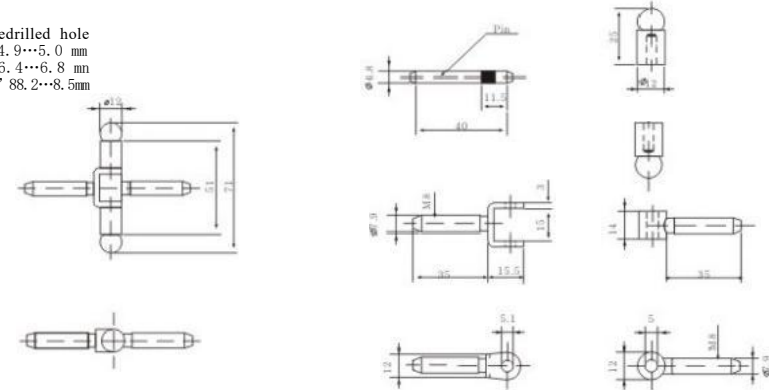
Predrilled hole
M624.9...5.0mm
M826.4...6.8mm
3/8"ø8.2...8.5mm

L=37.5
L=30



AM8/ø12 architects drill-in hinge

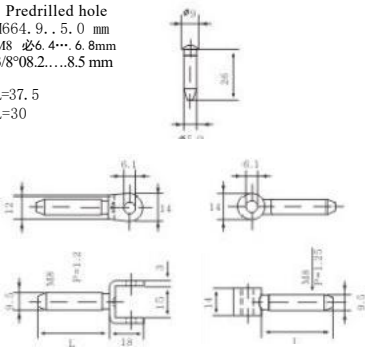
Predrilled hole
M664.9...5.0mm
M866.4...6.8mm
3/8" ø8.2...8.5mm



3/8/ø14

Predrilled hole
M664.9...5.0mm
M8 x6.4...6.8mm
3/8"ø8.2...8.5mm

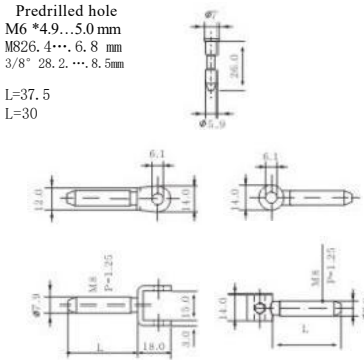
L=37.5
L=30



M8x40MRS

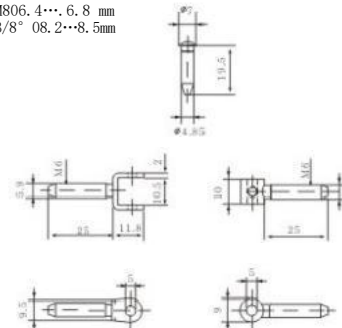
Predrilled hole
M6 *4.9...5.0mm
M826.4...6.8mm
3/8" 28.2...8.5mm

L=37.5
L=30

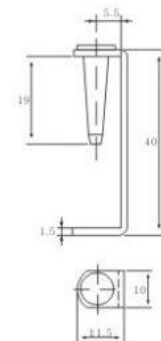


M6x25

Predrilled hole
M604.9...5.0mm
M806.4...6.8mm
3/8" ø8.2...8.5mm



M6x25LS/VM



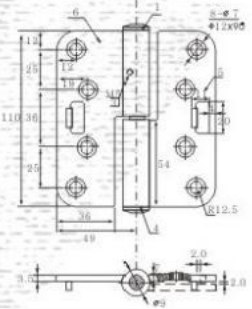
Lift-off hinges with load-bearing pin for non-rebated doors

Non-rebated doors

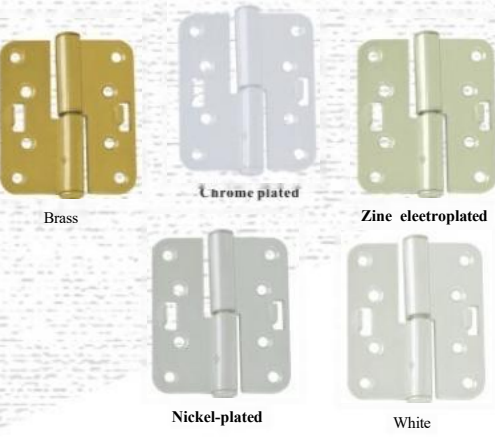
KV-L3248



Material:
Steel
Finish:
Zinc Plated
Packing:
160pcs/ctn



surface treatment

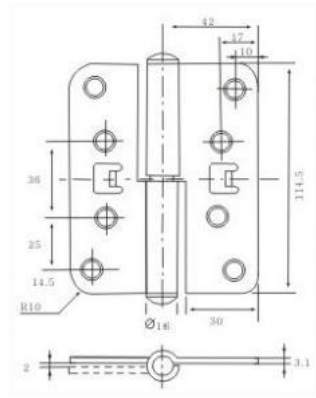


Due to printing technology,the colors in the pictures of this brochure do not exactly correspond to the real colors of the hinges

KV-3244



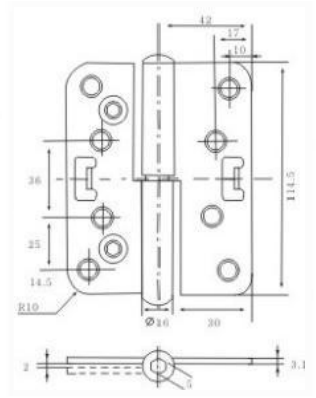
Material:
Steel
Finish:
Zinc Plated



KV-3248



Material:
Steel
Finish:
Zinc Plated

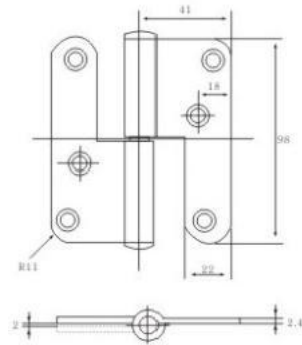


Other Products

KV-3220



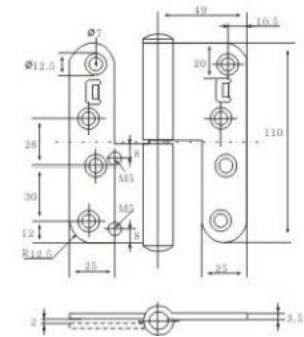
Material:
Steel
Finish:
Zinc Plated
Packing:
300pes/ctn



KV-4228



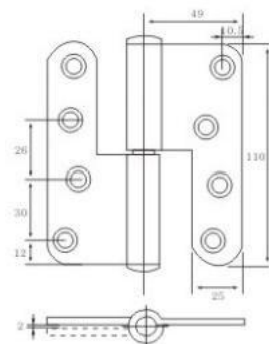
Material:
Steel
Finish:
Zinc Plated
Packing:
120pes/ctn



KV-3228



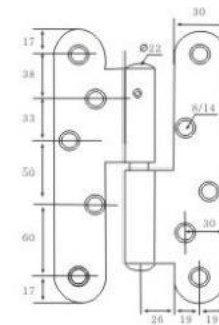
Material:
Steel
Finish:
Zinc Plated



KV-215



Material:
Steel
Finish:
Zinc Plated
Packing:
50pes/ctn



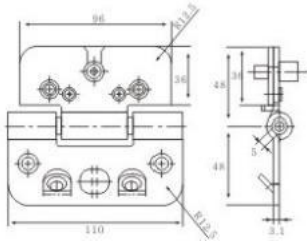
Other Products

KV-110X36



Material:
Steel

Finish:
Powder Coated



KV-1201 1206



Material:
Steel

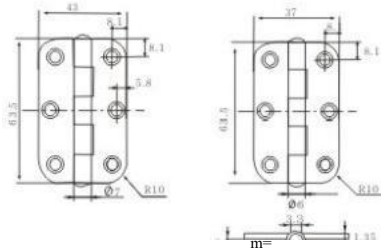
Finish:
Zinc Plated

Packing:
1000pes/ctr

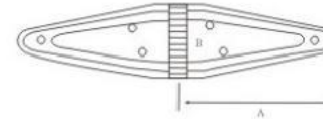
Material:
Steel

Finish:
Zinc Plated

Packing:
600pes/cm



KV-A



Material:
Steel

Finish:
Zinc Plated, Powder Coated.

Packing	Dimension: A-mm	B-mm
A-100 ^{mm} 200pes/ctn	100	45mm
A-125 ^{mm} 100pes/ctn	125	50mm
A-150 ^{mm} 70pes/ctn	150	65mm
A-200 ^{mm} 60pes/ctn	200	70mm

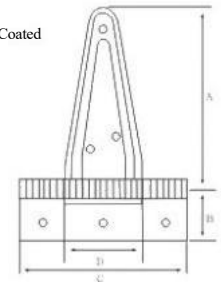
KV-T



Material:
Steel

Finish:
Zinc Plated, Powder Coated

king	
T-100	200pes/ctn
T-125	80pes/ctr
T-150	60pes/ctn
T-200	45pes/ctn



Dimension: A-mm	B-mm	C-mm	D-mm
T100	100mm	30mm	95mm 45mm
T125	125mm	40mm	110mm 50mm
T150	150mm	45mm	120mm 65mm
T200	200mm	55mm	130mm 70mm

Other Products

KV-001



Material: Steel
Finish: Y.Zinc

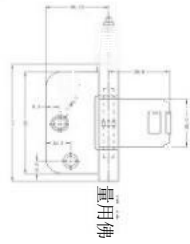
母

300

KV-601 with Decorative head



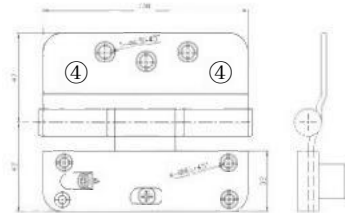
Material: Steel
Finish: Brass



KV-7501



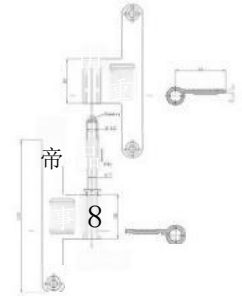
Material: Steel
Finish: Bronze



KV-FR003



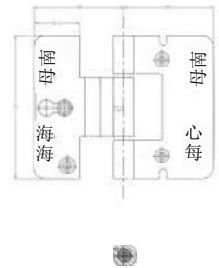
Material: Steel
Finish: Zinc plated



KV-VHDAL



Material: Steel
Finish: Powder Coated



KV-601P



Material: Plastic
Finish: White

KV-601D



Material: Steel+Plastic
Finish: Powder Coated

Other Products

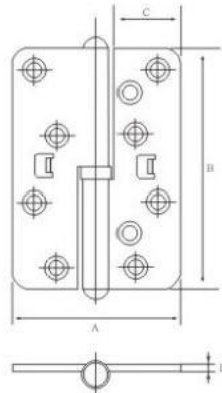
KVNKP 115×33,FFNKP 130×38



Material:
Steel

Finish:
Zinc Plated

Dimension!	A-mm	B-mm	C-mm	D-mm
FFNKP 115x33	81mm	115mm	30.5mm	3.0mm
FFNKP130x38	91mm	130mm	36mm	3.2mm



KV-A*B



Material:
Steel

Finish:
Zinc Plated

Dimension:	A-mm	B-mm
A*B25×19	25mm	19mm
A*B30×27	30mm	27mm
A*B38×32	38mm	32mm
A*B45×37	45mm	37mm
A*B50×40	50mm	40mm
A*B50×45	50mm	45mm
A*B60×40	60mm	40mm
A*B60×48	60mm	48mm

○ ○

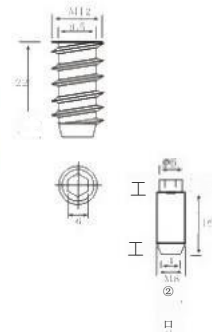
○ ○

KV-602z ja4228z



Material:
Zinc Alloy,Steel

Finish:
Zinc Plated



KV-RUUVIT



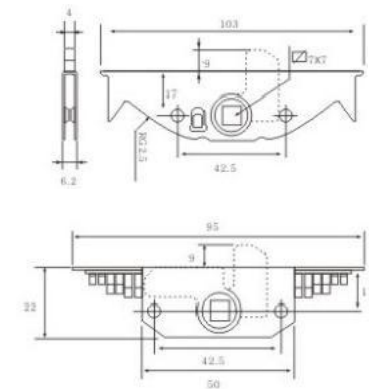
Material:
Steel

Finish:
Zinc Plated

KV-202

Material:
Steel

Finish:
Zinc Plated



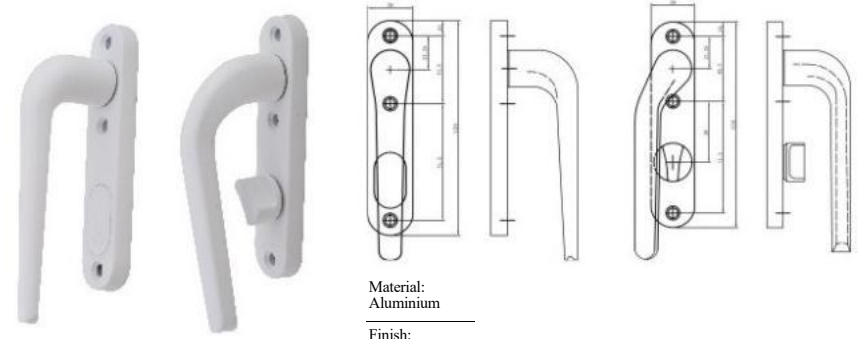
Other Products

KV-007



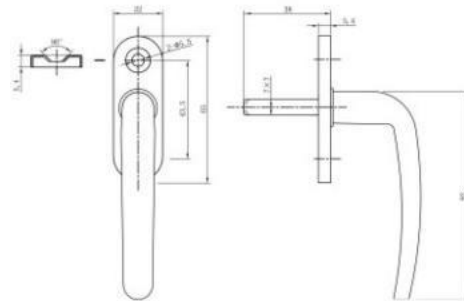
Material:
Zinc Alloy
Finish:
According to requirement

KV-011



Material:
Aluminium
Finish:
According to requirement

KV-502



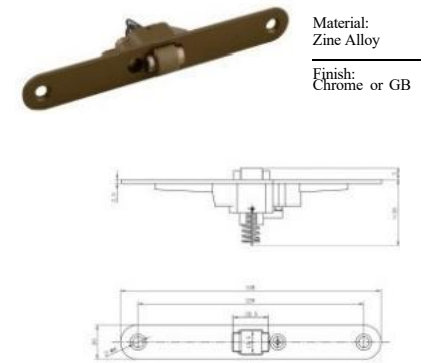
Material:
Zinc Alloy
Finish:
According to requirement

KV-2010



Material:
Zinc Alloy
Finish:
Chrome or GB

KV-2011



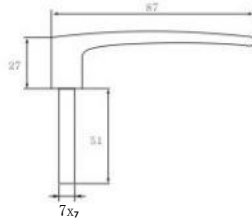
Material:
Zinc Alloy
Finish:
Chrome or GB

Other Products

KV-500



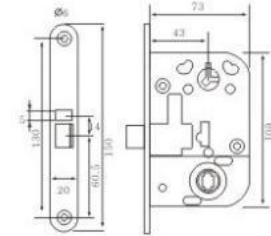
Material:
Zinc Alloy or Aluminium
Finish:
According to the requirement



KV-4190



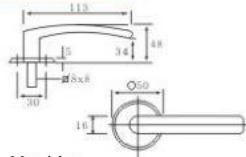
Material:
Steel
Finish:
According to the requirement



KV-006



Material:
Zinc Alloy or Aluminium
Finish:
According to the requirement.



FF-501

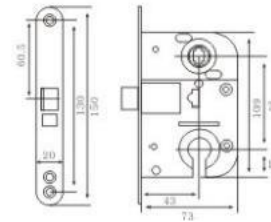
Material:
Zinc Alloy or Aluminium
Finish:
According to the requirement



KV-2018



Material:
Steel
Finish:
Powder Coated



KV-112, 113 FF-114, 115



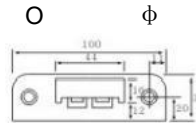
Material:
Steel
Finish:
According to the requirement

第 65 页

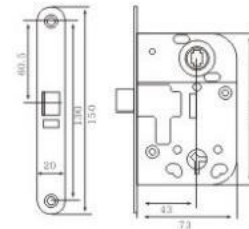
KV-0033, 0068



Material:
Steel
Finish:
Powder Coated



KV-2014



Material:
Steel
Finish:
Powder Coated

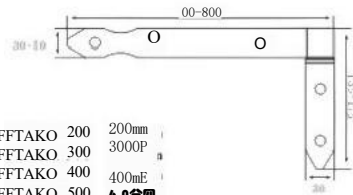
Other Products

KV-TAKO



Material:
Steel
Finish:
Powder Coated

FFTAKO 200	200mm
FFTAKO 300	300mm
FFTAKO 400	400mm
FFTAKO 500	500mm
FFTAKO 600	600mm
FFTAKO 800	800mm



KV-843/841

Material:
Aluminium
Finish:
Powder Coated

FF-840



Material:
Aluminium
Finish:
Powder Coated

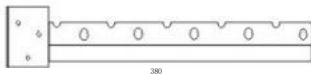
- 840/1
- 840/2
- 840/4
- 840/5
- 840/6

KV-ET-TT

Material:
Steel

Finish:
Zinc Plated

Packing:
25pes/etn



FF-150



50



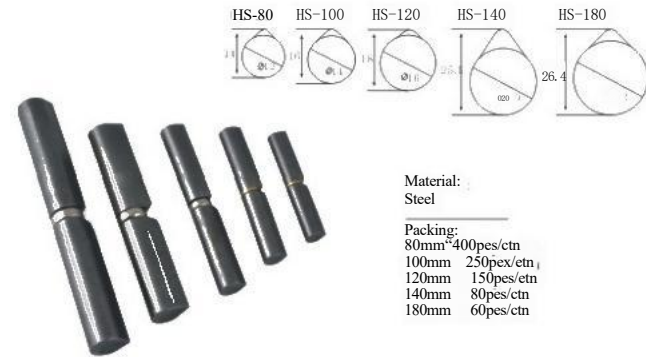
+ J4
2220

Material:
Zinc Alloy

Finish:
Powder Coated

Packing:
100pes/etn

KV-HS



Material:
Steel

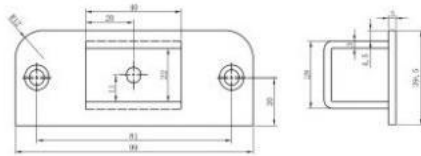
Packing:
80mm 400pes/ctn
100mm 250pes/ctn
120mm 150pes/ctn
140mm 80pes/ctn
180mm 60pes/ctn

Other Products

KV-1800



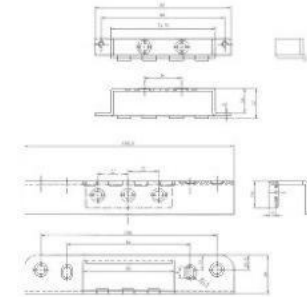
Material:
Zinc Alloy,Steel
Finish:
Zinc Plated



KV-1830



Material:
Zinc Alloy,Steel
Finish:
Zinc Plated



kv-1810



Material:
Zinc Alloy,Steel
Finish:
Zinc Plated

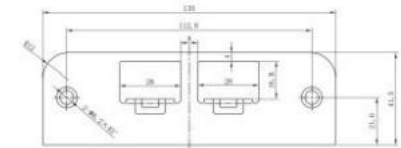
中 重 重



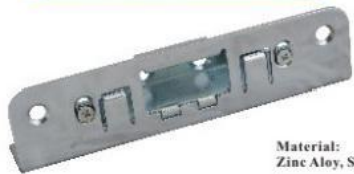
KV-1840



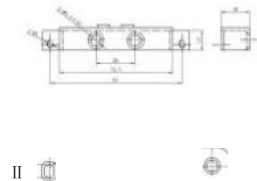
Material:
Zinc Alloy,Steel
Finish:
Zinc Plated



KV-1820



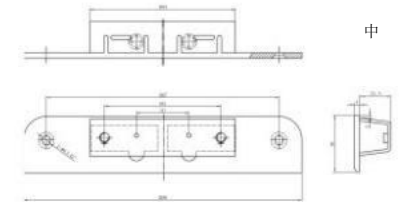
Material:
Zinc Alloy, Steel
Finish:
Zinc Plated



KV-1860



Material:
Zinc Alloy,Steel
Finish:
Zinc Plated



Other Products



Production according to client's samples and drawings(Aluminum casting,profile ect.)

Curtain rod decorative head and base



KV-CB01



KV-CH01



KV-CH02



KV-CH03



KV-CH13



KV-CH14



KV-CH15



KV-CH16



KV-CH05



KV-CH06



KV-CH07



KV-CH08



KV-CH17



KV-CH18